

INSTALLATION INSTRUCTIONS

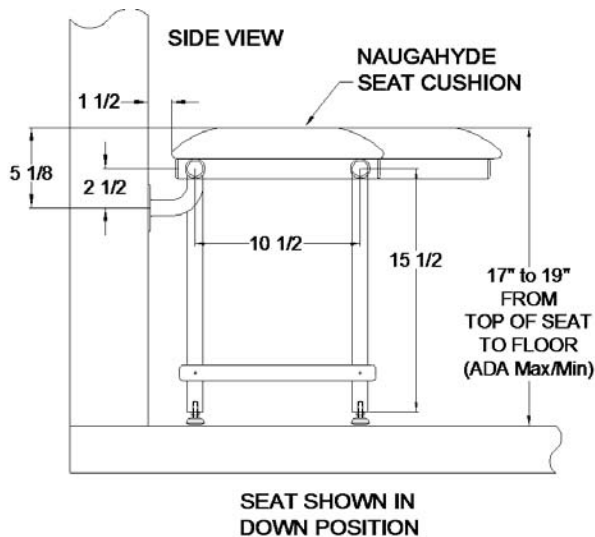
IMPORTANT: PROPER BACKING MATERIAL AND MOUNTING HARDWARE MUST BE USED TO MOUNT THIS SHOWER SEAT FOR SAFE USE AND AS REQUIRED BY A.D.A. GUIDELINES.

Your Shower Seat should be installed as an assembled unit.

PLEASE READ THESE INSTALLATION INSTRUCTIONS THOROUGHLY PRIOR TO INSTALLING THE SEAT TO IDENTIFY THE TOOLS RECOMMENDED FOR INSTALLATION, AS WELL AS THE MOUNTING HARDWARE REQUIRED TO COMPLETE THE INSTALLATION.

WEIGHT CAPACITY: SELECT SSL2, SSR2 or SSB2 MODELS WILL SUPPORT IN EXCESS OF (900 Lbs. of Force) WHEN PROPERLY INSTALLED.

1. Determine desired shower seat location.

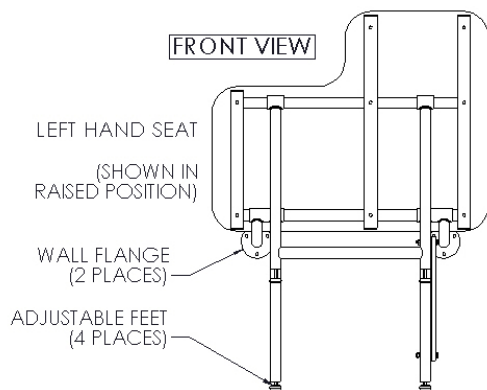


Remove shower seat from the shipping carton.

Place the seat in an upright position with the mounting flanges placed firmly against the shower wall.

2. Determine seat height from the floor and location relative to the inside back wall.

ADA regulations specify a finished seat height of 17" to 19" above the finished floor and 1/2" of clearance between the seat edge and the side wall.



Level the seat by changing the adjustable rubber feet to the desired mounting height (17"-19"). Tighten the lock nuts.

With the mounting flanges placed flush against the wall, mark the position of the three holes in each flange. Refer to the information in the **Backing Materials** section, and use the suitable diameter drill and drill the six (6) holes.

3. Mounting the seat to the wall.

Holding the seat assembly in the down position, make any necessary final adjustments to the adjustable rubber feet. With the feet resting firmly on the floor, tightly secure the two mounting flanges to the wall **AND INTO PROPER BACKING MATERIAL**, using mounting hardware suitable for your specific mounting application.

Backing Materials - For installations where concealed in-wall backing material is:

- **Wood with 2" minimum thickness:**
Use 1/8" diameter drill & drill 6 holes 2" deep.
Procure (8) #10-24 x 2½" stainless steel screws (not supplied by manufacturer) to secure mounting flanges to the wall.
- **Minimum 12ga. steel anchor plate:**
Use #0.147" drill & drill through steel plate.
Tap holes to #10-24 NC.
Procure (8) #10-24 x 2½" stainless steel screws (not supplied by manufacturer) to secure mounting flanges to the wall.

Use reinforced backing behind wall where mounting screws or anchoring devices are installed to ensure adequate support for the shower seat. All anchoring devices must be appropriate for specific wall construction. Severe personal injury and / or property damage may result from improper mounting.

4. Check Seat for:

- 1) Proper up and down operation.
- 2) Correct finished height.
- 3) Correct distance from wall.
- 4) Weight bearing.

***THIS COMPLETES THE INSTALLATION OF THE SHOWER SEAT.
THIS SHOWER SEAT IS PROUDLY MADE IN AMERICA.***

Recommended tools required for installing the seat where there is concealed, in-wall wood backing:

Tape measure, clear tape, 1/4 power drill, 1/4" carbide tip drill (if you have tile, marble or granite surface), 1/4" plain drill (if you have acrylic or fiberglass surface), 1/8" plain drill, pen or pencil, center punch, level, hammer, phillips head screw driver.

Recommended tools required for installing the seat where there is concealed, in-wall steel backing:

Add a 0.147" drill bit and a #10-24-NC Tap to the list of tools above.

17" to 19" Finished Mounting Height for Naugahyde Seat Top

17" to 19" Finished Mounting Height for Phenolic / HDPE Seat Top

$\frac{1}{2}$ "

$\frac{5}{8}$ "

$\frac{1}{5}$ "

3" Dia

1" Dia. Hole

Ø2.317

Bolt Circle
(Wingits Compatible)

Ø0.265^{+0.010}
_{-0.000}
(3 Plcs)

120° (typ)

Shower Seat Mounting Flange Template

