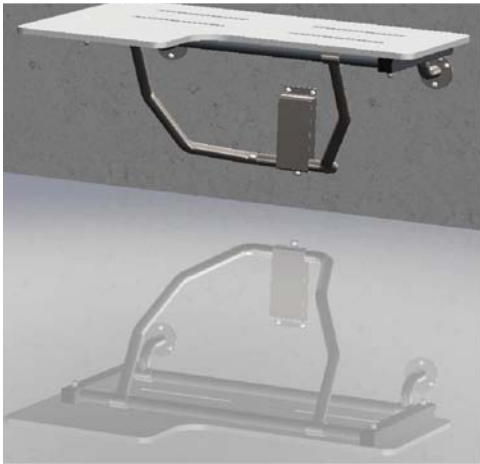


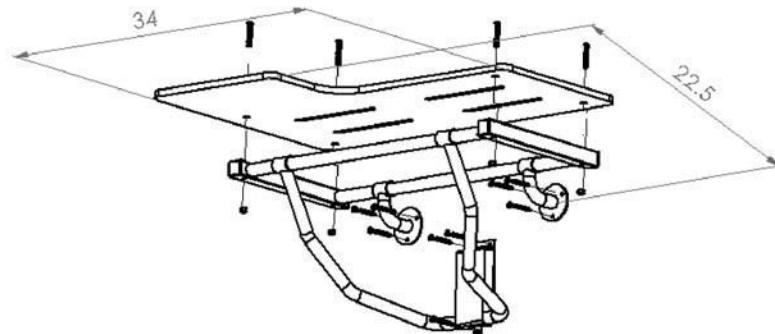
APCSLR-345225-PWS Reversible ADA Shower Seat



SEAT IN RIGHT CONFIGURATION



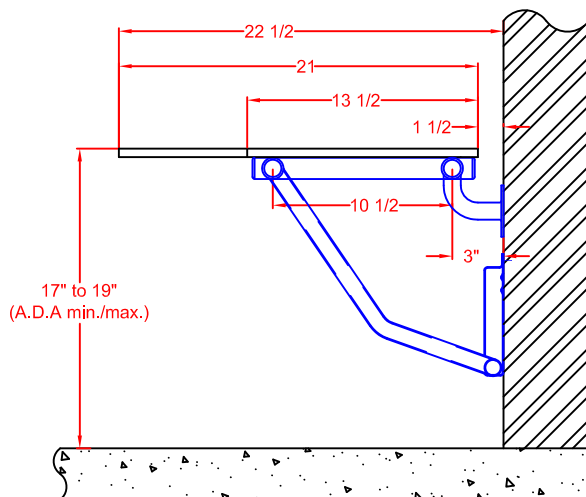
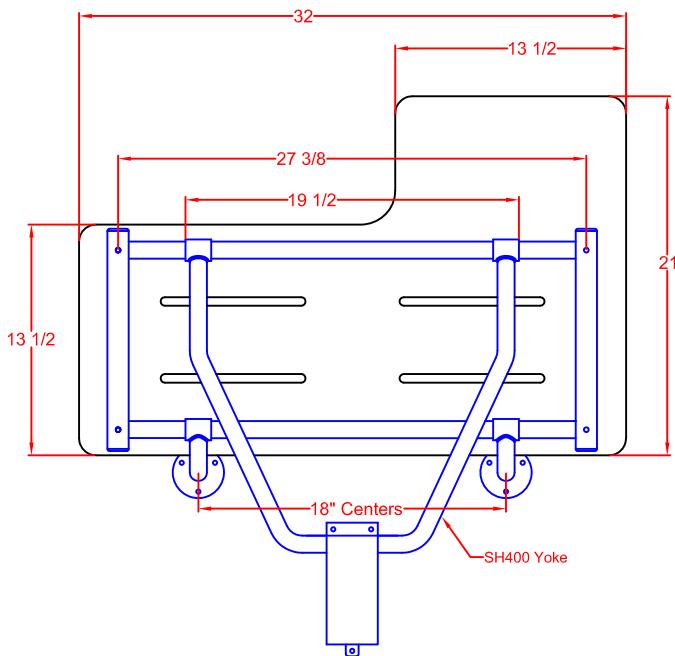
SEAT IN LEFT CONFIGURATION



Features:

- One piece 304 stainless steel frame
- Reduced installation time
- Nylock System for easy seat assembly
- Adjustable mounting flange system
- Variety pack hardware for various installations

SHOWER SEAT
MODEL # APCSLR-320225-PWS
(with Solid White Phenolic Seat)



OPERATION:

Constant friction wall mounted bracket guides "U"-shaped leg freely up and down, resulting in a low pressure constant spring action to raise and lower seat. Seat is automatically held in a raised position by a positive stop friction spring guide bracket.

ARCHITECTURAL SPECIFICATIONS:

Frame: Type 304 (18-8) S.S. tube, 1-1/4" (32mm) x 18ga. (1.2mm) sq. main frame with 1" (25mm) x 18ga. (1.2mm) rd. cross members. Leg: "U" - shaped yoke of type 304 (18-8) S.S. tubing, 1" (25mm) x 18ga. (1.2mm) rd., with constant friction, wall mount guide bracket.

MATERIALS:

FRAME: Type 304 (18-8) S.S. tubing, 1-1/4" (32mm) x 18ga. (1.2mm) sq. main frame with 1" (25mm) x 18ga. (1.2mm) rd. cross-members.

WALL FLANGES (2): Type 304 (18-8) S.S., 10ga. (3.4 mm) x 3" (76mm) dia. heliarc welded to 1" (25mm) rd. x 18ga. (1.2mm) 90 degree leg supports, and to 1-1/4" (32mm) rd. x 12ga. (2.7mm) frame hinge couplings. Three mounting holes in each flange.

SUPPORT LEG: "U"-Shaped yoke of type 304 (18-8) S.S. Tube, 1" (25mm) rd. x 18ga. (1.2mm), heliarc welded to 1-1/4" (32mm) rd. x 12ga. (2.7mm) frame hinge coupling.

GUIDE BRACKET: Type 304 (18-8) S.S., 18ga. (1.2mm) x 3" (76mm) wide, constant friction, wall mounted guide bracket, with positive stop for raised position.

SEAT CHOICES:(Designate when ordering)

- NW or NA - White (NW) or Almond (NA) Naugahyde covering 2" (51mm) foam mounted on 1/2" (13mm) marine plywood.
- PW or PT - White (PW) or Teak (PT) finish Phenolic 1/2" (13mm) x 3" (76mm) slats bolted to frame with S.S. screws.
- HW - White High Density Polyethelene (HDPE) 1/2" (13mm) thick, bolted to frame with S.S. screws.

INSTALLATION:

All Shower Seats must only be installed using suitable fasteners and sufficient in-wall backing materials. ADA mounting height for lowered seat is 17" (432mm) to 19" (482mm).