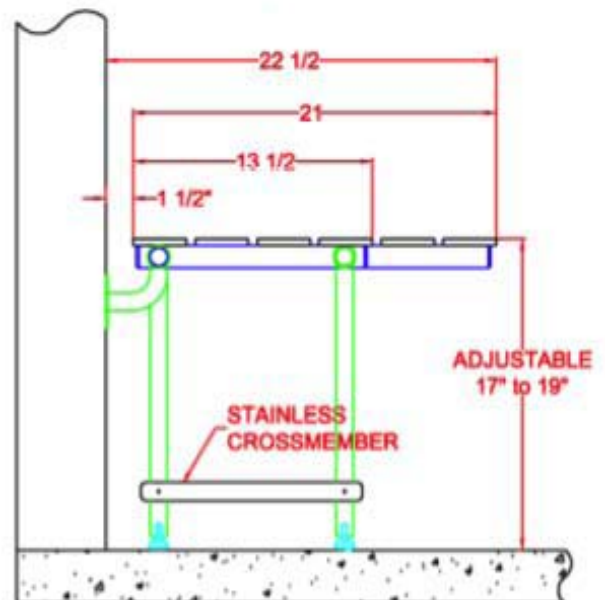
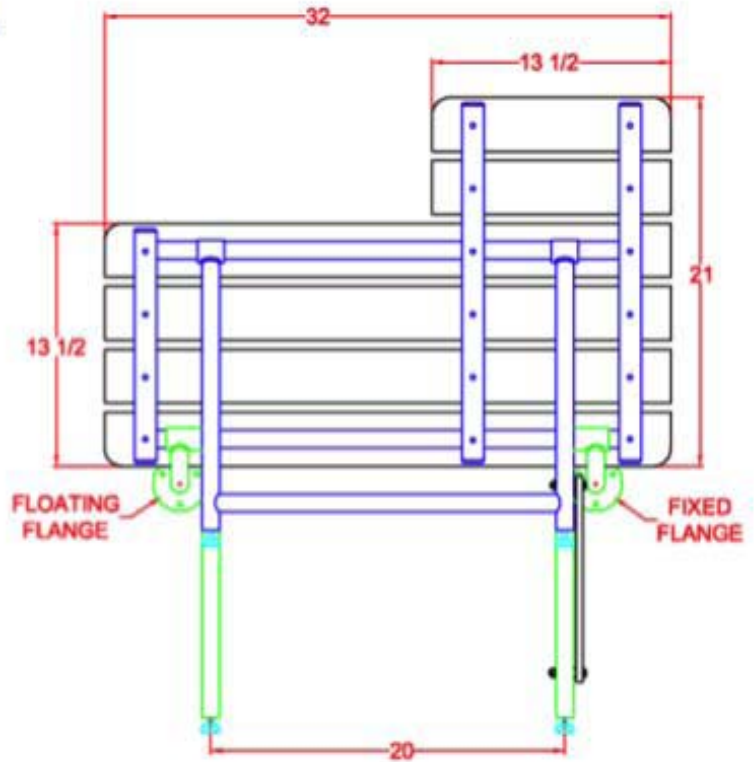


APCSD3221-LH-PH (left)
APCSD3221-RH-PH (right)

**L-Shape Phenolic Seat with SS Swing down legs
32" x 21" (Left hand shown)**

L-Shaped, folding transfer seat. Meets ADA Barrier Free accessibility requirements. Phenolic seats offer outstanding sanitary and damage-resistant properties and are often used in public and institutional applications.

- Meets ADA Transfer Seat requirements.
- Durable, water-resistant phenolic slats with countersunk screws.
- Available in Right and Left Hand configurations.
- Available in White finish.
- 4 Swing-Down Legs.
- Adjustable height rubber floor protectors.
- Constructed of 304 Stainless Steel.
- Tubing is at least 18 gauge (1.2 mm)
- Heliaric welding.
- Wall Flanges:
Two 3" diameter x 10 gauge plates each with 3 mounting holes.
- Phenolic top measures 32"L x 21"W.



In accordance with ADA requirements, the seat can be raised and lowered with less than 5 pounds of force. Mounting bracket provides smooth, uniform resistance. Positive friction allows the seat to remain securely in the raised position preventing accidental lowering. When installed correctly CSI Shower seats will support a static load of in excess of 400 lbs.