

**APCSD2216-NH-PD**  
22" x 16" BENCH SEAT

## Specifications

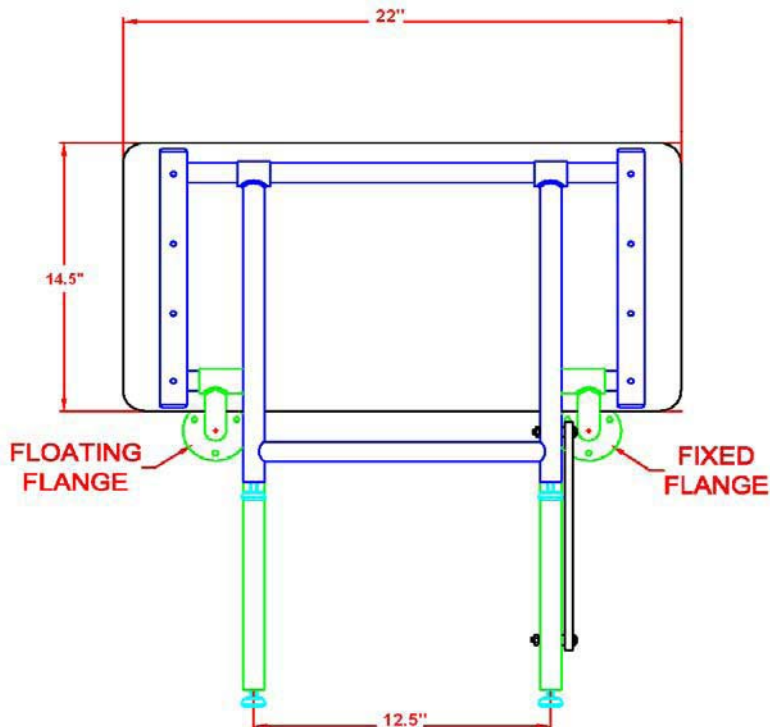
### APCSD2216-NH-PD Padded Seat with SS Swing-Down Legs

Rectangular, bench style folding seat. Padded seats offer superior comfort for institutional and residential applications.

- 4 Swing Down Legs
- Adjustable height rubber floor protectors
- Constructed of 304 Stainless Steel.
- Tubing is at least 18 gauge (1.2 mm)
- Heliaric welding
- Wall Flanges:

Two 3" diameter x 10 gauge plates each with 3 mounting holes

- Thick marine grade plywood base
- Sealed with a waterproof vinyl cover
- Color: White
- Base Measurements: 22" x 16"



In accordance with ADA requirements, the seat can be raised and lowered with less than 5 pounds of force. Mounting bracket provides smooth, uniform resistance. Positive friction allows the seat to remain securely in the raised position preventing accidental lowering. When installed correctly CSI Shower seats will support a static load of in excess of 400 lbs.