



Installation and user care instructions

Shower Seat Use

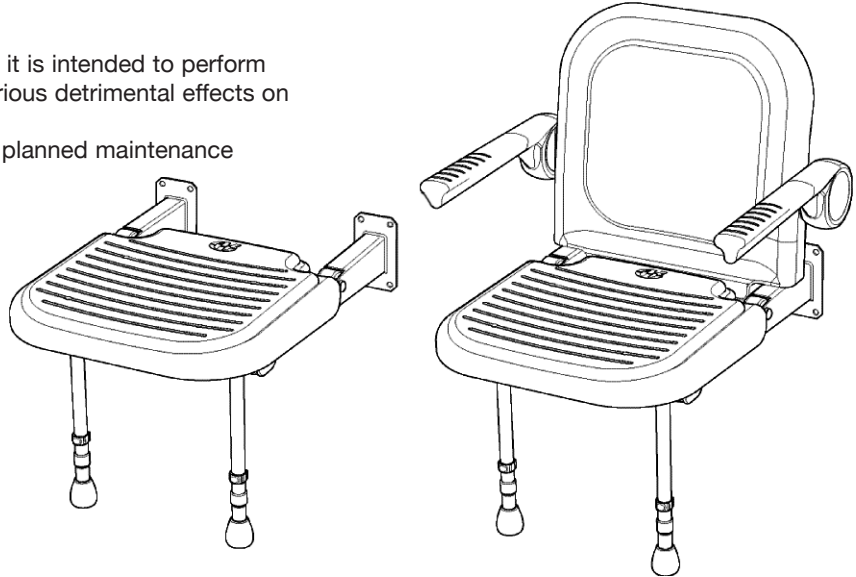
The Shower Seat must only be used for the tasks it is intended to perform. Do not stand on it or misuse it. This may have serious detrimental effects on its performance and safety.

The Shower Seat should be checked as part of a planned maintenance program.

Children and other users may require supervision when using this product.

Keeping your Shower Seat Clean

This product should be cleaned periodically to remove any accumulation of hair or other waste material, using normal domestic bathroom cleaning materials. After cleaning always flush down with water then wipe thoroughly with a damp cloth to remove any cleaning material residues before drying off.



Disinfecting

Where disinfecting is necessary, standard established procedures for disinfecting equipment should be used with due care and attention should be taken of the warnings concerning possible effects of aggressive chemicals on plastics.

After cleaning always flush down with water then wipe thoroughly with a damp cloth to remove any cleaning material residues before drying off.

Do not use strong or concentrated acidic, alkaline or other cleaning materials as these may discolor or damage the product. We do not recommend autoclave cleaning due to the damage this can cause to the special engineering.

Packaging

This Shower Seat is supplied in a polypropylene (PP) bag to keep the product unsoiled until installation; it may also be packed in a cardboard box. Both are suitable for recycling operations and should be disposed of in accordance with local recycling regulations.

Cushion Assembly

Fig. 1

Fit Hole Reducers to ALL HOLES if cushions are not used.

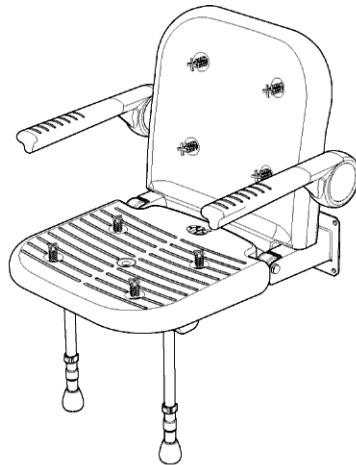
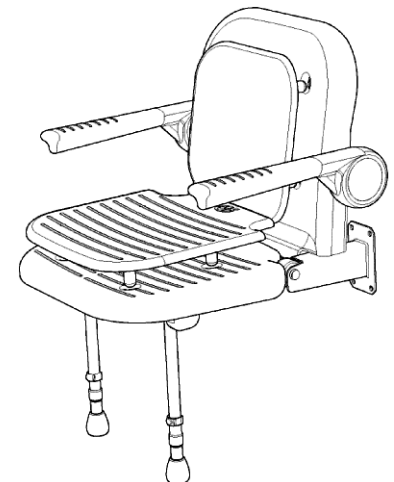


Fig. 2

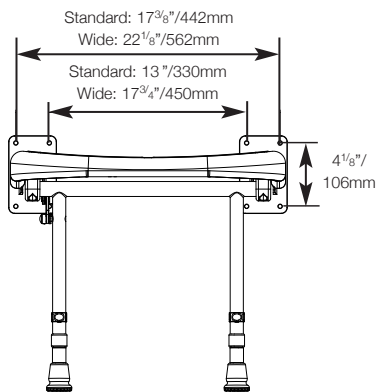
To fit cushions remove hole reducers (if fitted). Push lugs on cushion into holes in the seat.



APM4070/P, APM4270/P, APM4110/P, APM4210/P, APM4030, APM4100/P, APM4200/P, APM4120/P, APM4220/P installation notes and dimensions

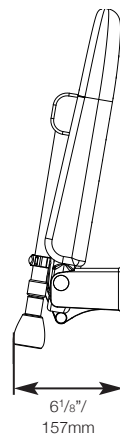
Lay the seat on its back on the floor.
 When placed on the floor, the legs are locked down by the mechanism.
 Lift the seat base and legs up together away from the back.
 Adjust support legs ensuring that both legs sit down firmly on the floor when placed in the down position.
 Install the seat and re-fit the back.
 Once installed check that the push-on stainless steel caps and plastic pivot caps are firmly in place.
 This seat must be attached to a vertical surface using suitable fittings appropriate to the type of surface and loading conditions to be applied.
 Stainless steel fittings are recommended.
 Make sure all holes are used, including those behind the seat back. Take care not to damage the painted surface.
 Do not add countersinks or make any holes larger. This can reduce the strength of the frame and invalidate any warranty or weight capacity stated.
 You should consult a fitting manufacturer if you are unsure of which type of fitting to use, stating the type and construction of the vertical surface and the version of seat product.
 We are unable to specify the type of fitting to be used due to the vast number of possible types and conditions of vertical surfaces to which the shower seat can be attached.

Mounting Hole Dimensions



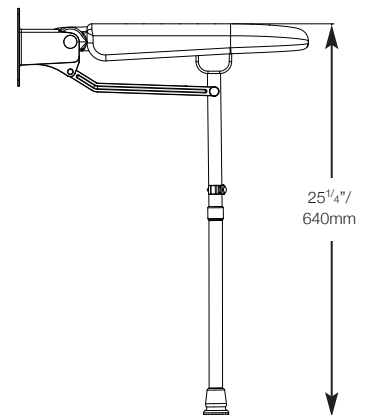
Seat Dimensions (Cushion not shown)

Folded Dimensions



U-Shape Dimensions (Wide width)

Maximum Height Dimensions



Minimum Height Dimensions

